



WAVE S9066TC - 12W

Dimmable IP44 LED downlight with selectable colour temperature

Application

Ideal for any residential or commercial interior space

Design Specifications

- Easy selectable colour temperature with an inbuilt DIP switch, 3000K/4000K/5700K
- Poly covered aluminium body, double insulation, IC - F rated
- Quality opal polycarbonate diffuser
- Integral constant current trailing edge dimmable LED driver with flex and plug
- High efficiency SMD LED chips
- Optional deco ring, satin nickel S9066SN/RING

Performance

Dimmable - **YES**

Dimmer Type - **Trailing edge**



Technical Specification

Model No.	Description	Input Voltage (V/AC)	Power (W)	Lumens (lm)	CCT (K)	Beam Angle (°)
S9066TC WH	LED D/L 12W IP44 3/4/6K WH DIM	240	12	1200/1350/1350	3000/4000/5700	90

Technical Specification

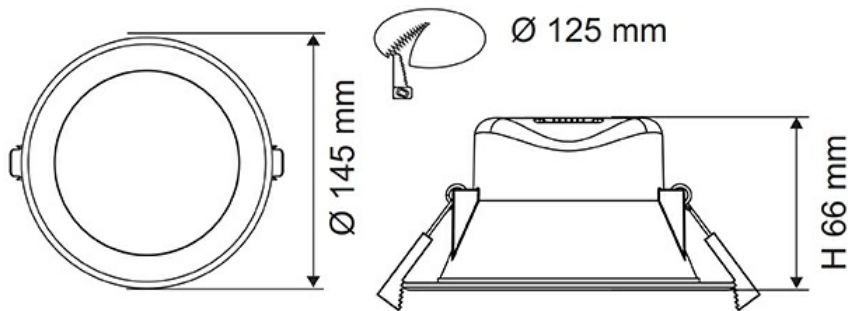
Model No.	Dimmable	CRI	Body Colour	Dim (mm)
S9066TC WH	YES	80	WHITE	145(W) x 66(H)

Due to continued product and technology enhancements, data sourced from sal.net.au shall not form part of any contract and or technical performance guarantee unless expressly confirmed in writing by SAL at the time of order. Products are sold in accordance with [SAL Terms and Conditions of sale](#) and all images shown are for illustration purposes only and may vary from the actual colour or finish. Unless specifically stated, all IP ratings nominated for Interior products are from "below the ceiling".



Dimensions

S9066TC

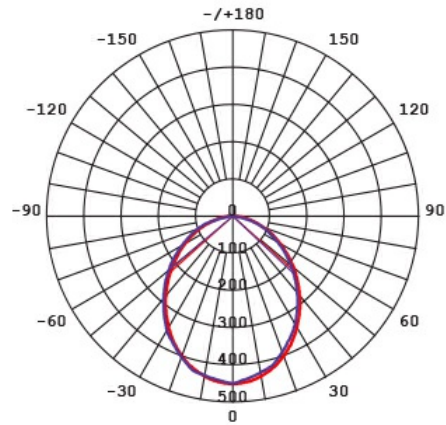




Photometric Data

Unit: cd C0/C180 _____ C90/C270 _____

S9066TC at 3000K



Product Images

