



WAVE S9064TC/T - 7W

Dimmable IP44 LED downlight with selectable colour temperature

Application

Ideal for any residential or commercial interior space

Design Specifications

- Easy selectable colour temperature with an inbuilt DIP switch, 3000K/4000K/5700K
- Poly covered aluminium body, double insulation, IC - F rated
- Quality opal polycarbonate diffuser
- Integral constant current trailing edge dimmable LED driver, with quick connect terminal block
- High efficiency SMD LED chips



Performance

Dimmable - **YES**

Dimmer Type - **Trailing edge**

Technical Specification

Model No.	Input Voltage (V/AC)	Power (W)	Lumens (lm)	CCT (K)	Beam Angle (°)	Dimmable
S9064TC/WH/T	240	7	750/850/800	3000/4000/5700	90	YES

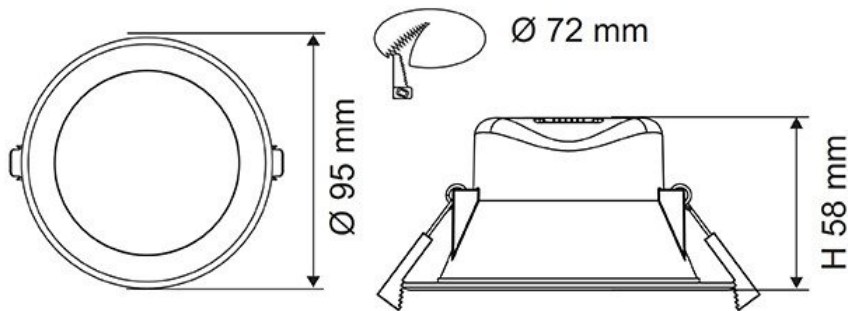
Technical Specification

Model No.	CRI	Body Colour	Cut Out (mm)	Dim (mm)
S9064TC/WH/T	80	WHITE	72	58(H)

Due to continued product and technology enhancements, data sourced from sal.net.au shall not form part of any contract and or technical performance guarantee unless expressly confirmed in writing by SAL at the time of order. Products are sold in accordance with [SAL Terms and Conditions of sale](#) and all images shown are for illustration purposes only and may vary from the actual colour or finish. Unless specifically stated, all IP ratings nominated for Interior products are from "below the ceiling".

Dimensions

S9064 TC





Photometric Data

Unit: cd C0/C180 _____ C90/C270 _____

S9064TC at 3000K

