

## Time switch technology

### Digital time switches, Front panel/wall installation



tactic smart A



tactic smart E

#### Description

##### tactic smart

The tactic smart provides versatile application options throughout the building and outdoors. It is used for universal switching tasks such as in switchgear, machine controls, or specific solutions as swimming pool controls and sprinkler systems. The tactic smart is suitable for universal wall installation as well as for installation in switching applications, or for top-hat rail mounting.

The device can be operated and programmed via Bluetooth with the talento smart App.

#### Product selection

Program	Type of installation	Operating voltage	Type	Item no.
Weekly, annual and Astro programs	Surface	110–230 V AC	tactic smart A	43.87.0002.1
Weekly program, pulse/cycle	Installation	110–230 V AC	tactic smart E	43.87.0003.1

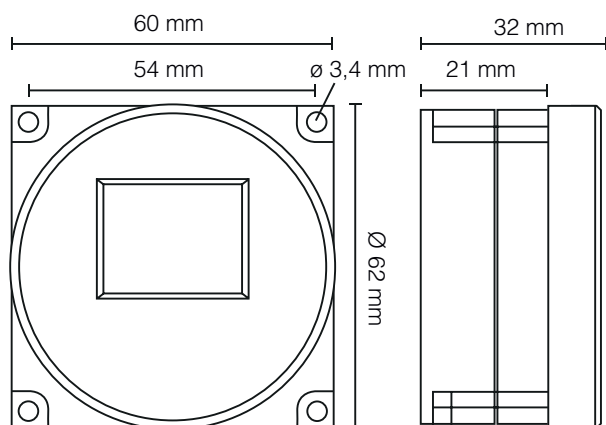
# Time switch technology

## Digital time switches, Front panel/wall installation

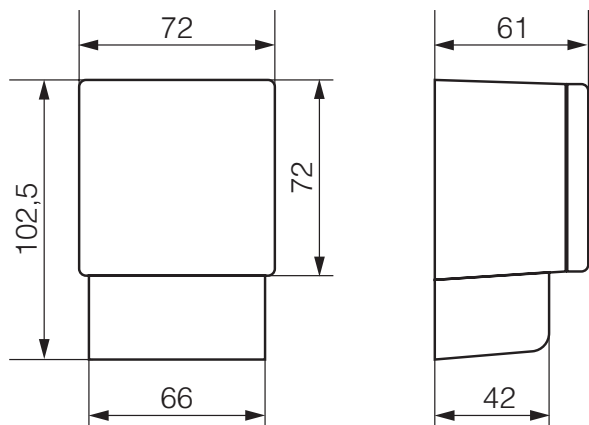
### Technical data

	tactic smart
Operating voltage	110–230 V AC
Frequency	50–60 Hz
Switching capacity at 250 VAC, cos phi = 1	16 A
Switching capacity at 250 VAC, cos phi = 0.6	10 A
Incandescent/halogen lamp load	2600 W
LED load	400 W
Ambient temperature	–20 °C ... +55 °C
Time accuracy	< ± 0.3 s/day at 20 °C
Power reserve	8 years
Standby output	< 1 W
Relay outputs	1
PROG. Functions	Weekly function, yearly function, Astro function, pulse/cycle function
protection	IP 20
Type of installation	Wall-mounted

### Scale drawings tactic smart E



### Scale drawings tactic smart A



### Connection example

