



## UNITREK STR9017/30TC/DP - 21/30W

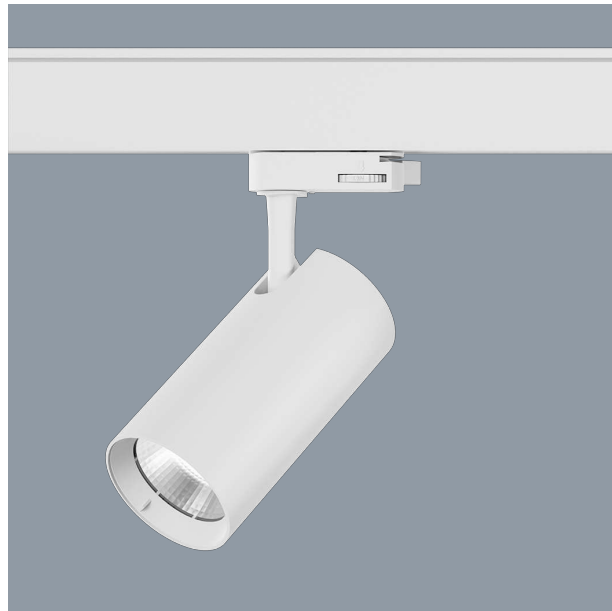
Unitrek single circuit, 21/30 watt architectural track spot, with integral dual power driver and selectable colour temperature

### Application

Ideal for decorative interior or residential designs

### Design Specifications

- Architectural cylindrical profile
- Robust Polyamide body profile, colour matt white or black
- High efficiency COB LED chip, CRI > 80, selectable colour temperature 3000/4000/5700K
- Multi-faceted reflector system, polycarbonate lens, 40 degree beam distribution
- 21/30W selectable power, integral, non-dimmable LED driver, with an ON/OFF switch function conveniently located on the track adaptor.



- SINGLE CIRCUIT
- IP20
- ta25
- DUAL POWER
- 
- 2 YEAR COMMERCIAL WARRANTY
- 3 YEAR RESIDENTIAL WARRANTY
- WARM WHITE 3000K
- COOL WHITE 4000K
- DAYLIGHT 5700K

### Technical Specification

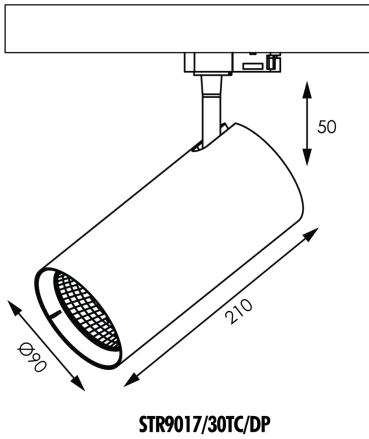
Model No.	Input Voltage (V/AC)	Lumens (lm)	CCT (K)	Body Colour	CRI	Beam Angle (°)
STR9017/30TC/DP/WH	240	2100/2400/2200	3000/4000/5700	WHITE	80	40
STR9017/30TC/DP/BK	240	2100/2400/2200	3000/4000/5700	BLACK	80	40
STR9017/30RING/BK				BLACK RING INSERT		40
STR9017/30RING/WH				WHITE RING INSERT		40

Dim (mm)	
90(W) x 210(H)	
90(W) x 210(H)	

NOTE: Lumens (lm) are shown at maximum power setting

Due to continued product and technology enhancements, data sourced from sal.net.au shall not form part of any contract and or technical performance guarantee unless expressly confirmed in writing by SAL at the time of order. Products are sold in accordance with SAL Terms and Conditions of sale and all images shown are for illustration purposes only and may vary from the actual colour or finish. Unless specifically stated, all IP ratings nominated for Interior products are from "below the ceiling".

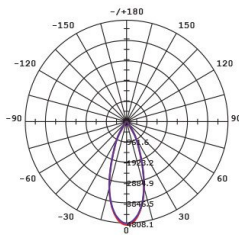
## Dimensions



## Photometric Data

Unit: cd C0/C180 — C90/C270

**STR9017/30W/WW at 3000K**



# WHO NEEDS AN OLD TIMER CONTROL.

# PIXIE SMART GPO IS SMARTER THAN THE REST.

MULTIFUNCTION  
CONTROL



For more  
information  
please  
scan me

