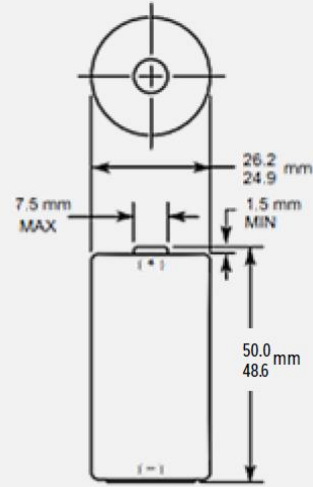




Size: C (LR14) MN1400



Dimensions shown are IEC standards

Key Features

- Reliable Performance
- Excellent resistance to corrosion
- Designed to meet all major quality, safety and environmental standards:
 - Safety: IEC 60086-5
 - ANSI C 18.1M, Part-2
 - EU Battery Directive
 - Quality: ISO 14001 and 9001, Duracell World Class Continuous Improvement Program

Electrical Characteristics

- Nominal capacity (83 mA Cont., .8V cut-off) 6,235 mAh
- Typical Voltage (at + 20 °C) 1.5 V
- AC Impedance @ 1kHz 112 mΩ

Physical Characteristics

- Typical weight 69.0 g (2.4 oz)
- Typical volume 26.9 cm³ (1.6 in³)
- Terminals Flat

Operating & Storage Conditions

- Operating temperature range -20°C to 60°C (-4°F to 140°F)
- Storage temperatures Recommended 5°C to 30°C (41°F to 86°F)



130 Bush Road
Albany, 0632
Telephone: 0800 239 239
www.hamer.co.nz

Delivered capacity is dependent on the applied load, operating temperature and cut-off voltage. Please refer to the charts and discharge data shown for examples of the energy/service life that the battery will provide for various load conditions.



DURGT1400

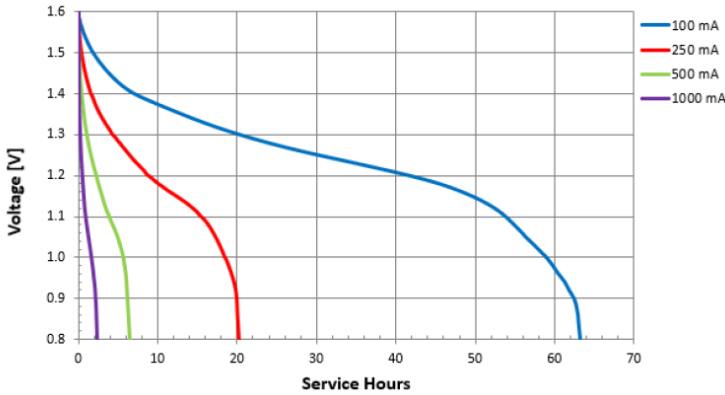
Size: C (LR14)

Alkaline-Manganese Dioxide Battery

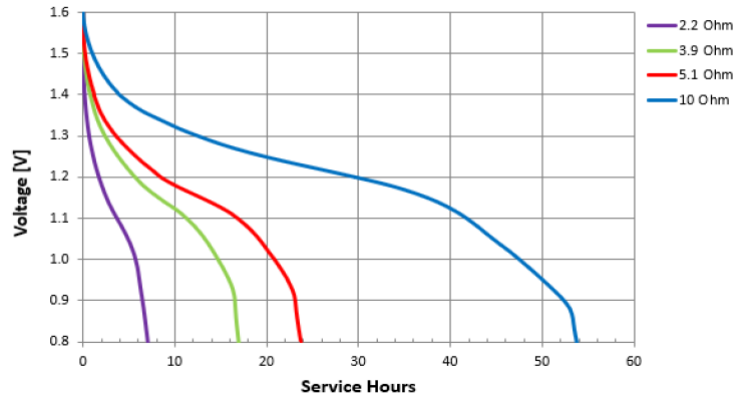
Zn/MnO₂

Typical Performance

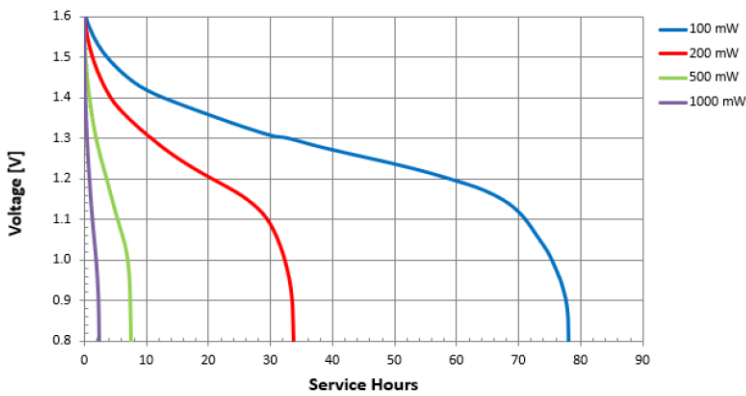
Constant Current



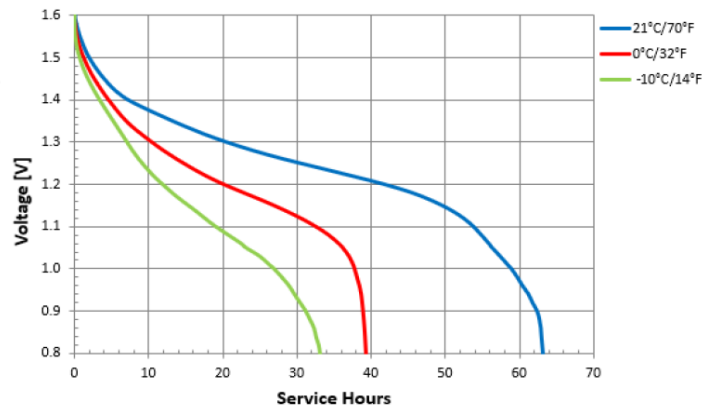
Constant Resistance



Constant Power



Constant Temperature - 100 mA



130 Bush Road
Albany, 0632
Telephone: 0800 239 239
www.hamer.co.nz

Delivered capacity is dependent on the applied load, operating temperature and cut-off voltage. Please refer to the charts and discharge data shown for examples of the energy/service life that the battery will provide for various load conditions.