

Datasheet - BNS 40S-12Z-C

Safety sensors / BNS 40S



(Minor differences between the printed image and the original product may exist!)

- Stainless steel enclosure
- Cable connection suitable for the food industry
- Concealed mounting possible
- 88 mm x 27 mm x 14,5 mm
- Long life
- no mechanical wear
- Insensitive to soiling
- Insensitive to transverse misalignment
- Suitable for food processing industry
- especially easy to clean through concealed threaded holes at the rear

Ordering details

Product type description	BNS 40S-12Z-C
Article number	101215518
EAN code	
eCl@ss	27-27-24-02

Approval

Approval



Classification

Standards	EN ISO 13849-1
B _{10d} Normally-closed contact/Normally open contact (NC/NO)	25.000.000
- notice	at max. 20% contact load
Mission time	20 Years
notice	$MTTF_d = \frac{B_{10d}}{0,1 \times n_{op}}$ $n_{op} = \frac{d_{op} \times h_{op} \times 3600 \text{ s/h}}{t_{cycle}}$

Global Properties

Product name	BNS 40S
Standards	IEC 60947-5-3, BG-GS-ET-14
Compliance with the Directives (Y/N)	Yes
Materials	
- Material of the housings	Stainless steel (V4A)
- Material of the cable mantle	LiYY
Weight	
Coding available (Y/N)	Yes
Concealed threaded holes on the back (Y/N)	Yes

Monitoring function of downstream devices (Y/N)	No
Prerequisite evaluation unit	Yes
Recommended safety-monitoring module	AES 1135, AES 1136, AES 1165, AES 1166, AES 1165-2250, AES 1185, AES 1235, AES 1236, AES 1265, AES 1266, AES 1337, AES 2135, AES 2136, AES 2335, AES 2336, AES 2535, AES 2536, AES 2365, AES 2565, AES 2566, AES 2285, AES 3075, SRB 202C., SRB 400C., AES 3075
Recommended actuator	BPS 40S-1, BPS 40S-2, BPS 40S-1-C, BPS 40S-2-C

Mechanical data

Design of electrical connection	Cable
Cable length	1 m
Conductors	6 x 0,25 mm ²
AWG-Number	23
mechanical installation conditions	not flush
Active area	Side
Ensured switch distance ON S _{ao}	8 mm
Ensured switch distance OFF S _{ar}	18 mm
Type of actuation	Magnet
Direction of motion	head-on with regard to the active surface
restistance to shock	30 g / 11 ms
Resistance to vibration	10 ... 55 Hz, Amplitude 1 mm

Ambient conditions

Ambient temperature	
- Min. environmental temperature	-25 °C
- Max. environmental temperature	+80 °C
Storage and transport temperature	
- Min. Storage and transport temperature	-25 °C
- Max. Storage and transport temperature	+80 °C
Protection class	IP69K

Electrical data

Integrated Safety monitoring module available (Y/N)	No
Cross circuit/short circuit recognition possible (Y/N)	Yes
Voltage type	VAC/DC
Switch frequency	max. 5 Hz
Switching voltage	100 max. VAC/DC
Switching current	250 mA max.
Switching capacity	3 W max.

Outputs

Design of control output	Other, Reed kontakts
Number of shutters	1 piece
Number of openers	2 piece

Electrical data - Safety outputs

Number of secure semi-conductor outputs	0 piece
Number of secure outputs with contact	0 piece

Electrical data - Diagnostic output

Number of semi-conductor outputs with signaling function	0 piece
Number of outputs with signaling function that already have a contact	0 piece

LED switching conditions display

LED switching conditions display (Y/N)	No
--	----

ATEX

Explosion protection categories for gases	None
Explosion protected category for dusts	None

Dimensions

Dimensions of the sensor	
- Width of sensor	88 mm
- Height of sensor	27 mm
- Length of sensor	14.5 mm

notice

Contact symbols shown for the closed condition of the guard device.
Contact S21-S22 must be integrated in the safety circuit
The contact configuration for versions with or without LED is identical.

Included in delivery

Actuators must be ordered separately.

Ordering code

BNS 40S-12Z(1)-(2)

(1)	
<i>without</i>	without LED switching conditions display
G	with LED switching conditions display
(2)	
<i>without</i>	With countersunk mounting holes Ø 4.2 mm
C	M4

Documents

Operating instructions and Declaration of conformity (da) 285 kB, 08.08.2012
Code: mrl_bns40s_da

Operating instructions and Declaration of conformity (de) 291 kB, 15.07.2015
Code: mrl_bns40s_de

Operating instructions and Declaration of conformity (sv) 282 kB, 16.04.2012
Code: mrl_bns40s_sv

Operating instructions and Declaration of conformity (fr) 284 kB, 01.09.2015

Code: mrl_bns40s_fr

Operating instructions and Declaration of conformity (jp) 361 kB, 24.05.2012

Code: mrl_bns40s_jp

Operating instructions and Declaration of conformity (pl) 290 kB, 03.02.2015

Code: mrl_bns40s_pl

Operating instructions and Declaration of conformity (pt) 286 kB, 16.04.2012

Code: mrl_bns40s_pt

Operating instructions and Declaration of conformity (it) 282 kB, 16.04.2012

Code: mrl_bns40s_it

Operating instructions and Declaration of conformity (nl) 280 kB, 08.11.2012

Code: mrl_bns40s_nl

Operating instructions and Declaration of conformity (es) 283 kB, 28.07.2015

Code: mrl_bns40s_es

Operating instructions and Declaration of conformity (en) 287 kB, 15.07.2015

Code: mrl_bns40s_en

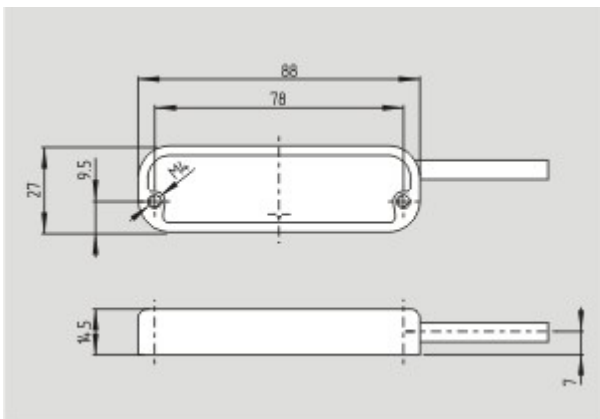
ECOLAB certification (en) 382 kB, 25.04.2012

Code: q_bnsp02

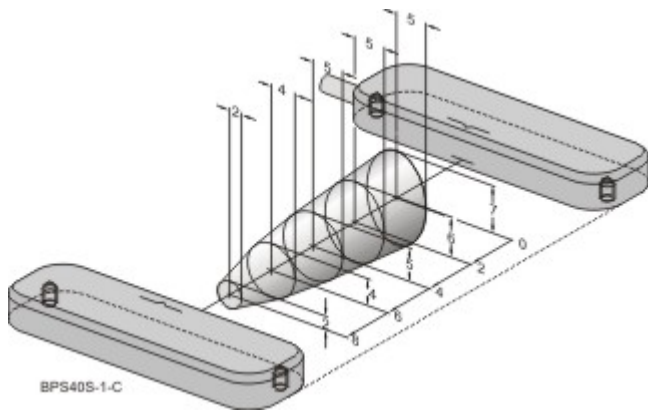
ECOLAB certification (de) 383 kB, 25.04.2012

Code: q_bnsp01

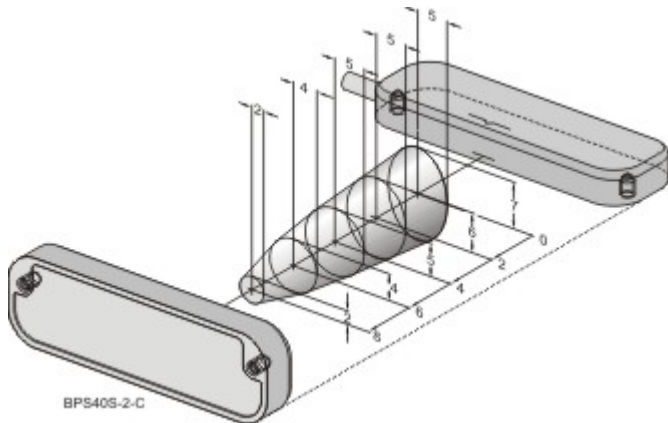
Images



Dimensional drawing (basic component)



Characteristic curve



Characteristic curve

System components

Product



103004897 - RM40S-C

- Door stop with magnetic latching
- Stainless steel enclosure
- Insensitive to soiling
- Suitable for food processing industry



103004893 - RM40S-1C

- Door stop with magnetic latching
- Stainless steel enclosure
- Insensitive to soiling
- Suitable for food processing industry



103004896 - RM40S

- Door stop with magnetic latching
- Stainless steel enclosure
- Insensitive to soiling
- Suitable for food processing industry

Actuator

101215267 - BPS 40S-2-C



- Stainless steel enclosure
- Actuator 90 ° attached to the sensor

101215266 - BPS 40S-1-C



- Stainless steel enclosure
- Actuator and sensor on a mounting level

101215269 - BPS 40S-2



- Stainless steel enclosure
- Actuator 90 ° attached to the sensor

101215268 - BPS 40S-1



- Stainless steel enclosure
- Actuator and sensor on a mounting level

K.A. Schmersal GmbH & Co. KG, Mödinghofe 30, D-42279 Wuppertal

The data and values have been checked thoroughly. Technical modifications and errors excepted.

Generiert am 01.02.2016 - 02:09:14h Kasbase 3.2.1.F.64I