

Datasheet - BPS 40S-1

Safety sensors / BNS 40S / Actuator



- Stainless steel enclosure
- Actuator and sensor on a mounting level

(Minor differences between the printed image and the original product may exist!)

Ordering details

| | |
|--------------------------|-------------|
| Product type description | BPS 40S-1 |
| Article number | 101215268 |
| EAN code | |
| eCl@ss | 27-27-92-17 |

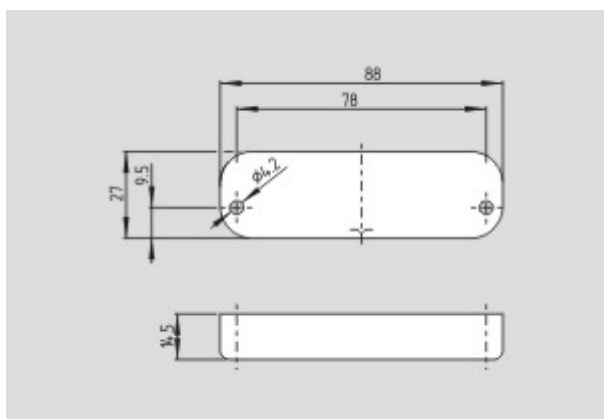
Global Properties

| | |
|--|-----------------------|
| Product name | Magnet |
| Materials | |
| - Material of the housings | Stainless steel (V4A) |
| Weight | |
| Concealed threaded holes on the back (Y/N) | No |

Dimensions

| | |
|-----------------------------|---------|
| Dimensions of the actuators | |
| - Width of the actuator | 88 mm |
| - Height of the actuator | 27 mm |
| - Length of the actuator | 14.5 mm |

Images



Dimensional drawing (basic component)

