

Datasheet - BPS 33S

Safety sensors / BNS 33S / Actuator



Preferred typ



• Stainless steel enclosure

(Minor differences between the printed image and the original product may exist!)

Ordering details

Product type description	BPS 33S
Article number	101184326
EAN code	4030661322223
eCl@ss	27-27-92-17

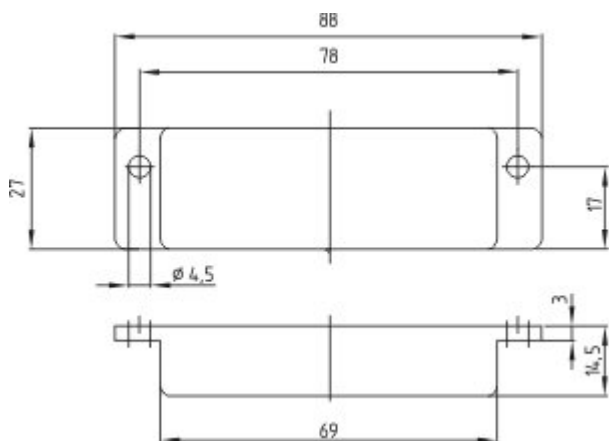
Global Properties

Product name	Magnet
Materials	
- Material of the housings	Stainless steel
Weight	125 g

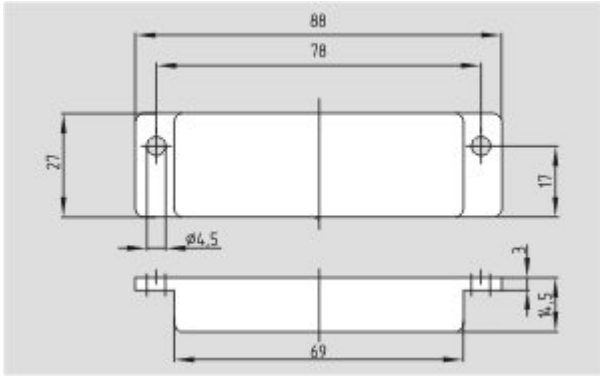
Dimensions

Dimensions of the actuators	
- Width of the actuator	88 mm
- Height of the actuator	27 mm
- Length of the actuator	14.5 mm

Images



Dimensional drawing (actuator)



Dimensional drawing (actuator)

K.A. Schmersal GmbH & Co. KG, Möddinghofe 30, D-42279 Wuppertal
The data and values have been checked thoroughly. Technical modifications and errors excepted.
Generiert am 29.01.2016 - 04:43:48h Kasbase 3.2.1.F.64I